



AERONAUTICAL DEVELOPMENT AGENCY

(Ministry of Defence, Govt. of India)

PB No. 1718, Vimanapura Post, Bangalore - 560 017, India

Speed Post / Registered Post

248/ADA/SER/INT/A&WS/SDEF

24 Feb 2019

To

**REPLACEMENT OF WOODEN CABLE DUCT IN
SD&EF LAB, CAD/CAM BUILDING, ADA HQ COMPLEX**

Quotation will be received up to 15:30 hrs on 16 Mar 2020

Dear Sir (s),

1. Kindly arrange to submit your quotation with a covering letter within the time/date specified above. The quotation shall be forwarded in a SEALED ENVELOPE, super-scribing the name of the work, due date of quotation, full mailing address so as to reach the undersigned by post or by dropping in the Tender Box kept in ADA HQ reception Bldg.
2. The following documents are enclosed herewith:
 - (a) Annexure – I - Detailed Scope of Work.
 - (b) Annexure – II - General Terms and Conditions.
 - (c) Annexure – III - List of approved Makes.
 - (d) Drawing no. - 01, 02 & 03
3. The site for execution of the work can be visited by the bidder, if so desires, to understand the work on any working days Monday to Friday between 09: 30 hrs to 16:00 hrs with prior intimation over phone.

Yours' truly,

(S Rangarajan)
Chief Admin officer
91640 10672

24/2
2020

**REPLACEMENT OF WOODEN CABLE DUCT IN
SD&EF LAB, CAD/CAM BUILDING, ADA HO COMPLEX**

DETAILED SCOPE OF WORK

Sl No	Description of Work	Qty	Rate	Amount (INR)
1.	Providing, fabrication and fixing to line & level as per site condition of wooden cable duct of size 0.300 mm x 0.250 mm x 1 Mtr approx each bit (Box type) made out of BIS approved make Marine grade 19 mm thick ply wood for sides, bottom and top lid/cover easily/freely removable type, surfaces of external duct will be applied with Latex based paint over a coat of Latex based wood primer for moisture resistance. Top lid/cover shall have an arrangement to freely remove & replace. All hardware, adhesive, grouting to floor after removal of the unserviceable cable duct. All other details as per Drg no.1,2&3.	40 Rmts		
	Rupees :			
2.	Supply & Treatment of Soil under the floor using Chemical emulsion @ 1 liter per hole 1 Meter apart including drilling 12 mm diameter holes and plugging with cement mortar 1:2 to match the existing floor with Chlorpyriphos/Londane E.C 20% with 1% concentration. Etc., complete.	20 Nos		
	Rupees :			
3.	Total			
	Rupees :			
4.	GST @ 12%			
	Rupees :			
5.	Grand Total			
	Rupees (In words) :			

Seal & Signature of the Contractor:

Date:



**REPLACEMENT OF WOODEN CABLE DUCT IN
SD&EF LAB, CAD/CAM BUILDING, ADA HQ COMPLEX**

General Terms & Conditions

1. This is an item rate contract based on scope of work, schedule of items, specifications, BOQ, drawings and site conditions. Payment will be released on satisfactory completion and handing over of the entire work based on actual measurement at site.

2. **The Sealed Envelope containing the quotation shall be super-scribed with the Name of the Work, Due date and full address of the firm.**

3.1 **Security:** The entire work has to be carried out in restricted area / Offices in a batched manner with least disturbance to officials / equipments. Adequate manpower shall be provisioned / deployed for the above work. Also, the work has to be carried out with ut-most care as live Electrical / Data / Voice cables are already laid and are in working condition. The work has to be carried out between 09:00 hrs to 18:00 hrs. Work Permit will NOT be given on ADA Holidays / Sundays/any State/Central Government declared holidays from time to time for any reason(s).

3.2 Necessary Security formalities should be completed before commencement of the work. Particulars of Supervisor/labours being deployed to be filled up in the format provided by the ADA security authorities duly signed by the contractor and countersigned by the ADA authorities to be submitted. **Police verification for Supervisor/Proprietor may be submitted before commencement of work.**

3.3 You shall ensure that NO personnel of doubtful character/antecedents will be employed. The contractor shall follow all the security norms of ADA and willing to accept the security checks by the security personnel of ADA. The contractor shall ensure that the contractor's workmen shall not enter any other places and should restrict themselves to the work area only. If any person employed by you found alcoholic while working, ADA shall reserve the right of asking the contractor to expel the person from the work spot and deny entry due to security reasons. The contractor shall carry out the said work at ADA premises for which he shall provide all tools, tackles, equipment's waste, etc., and any other items required for executing the work. He shall also be responsible for the safe custody of his belonging/stores while working in ADA. **Materials brought to site for incorporation into the work shall accompany with delivery note and shall be entered in the MATERIAL INWARD Register at the gate.** The excess materials if any taken out of ADA should be with proper gate pass.

3.4 The contractor or his authorised representative with sufficient experience shall be available at the site throughout the period of execution of the work to supervise the work and receiving instructions from the department from time to time.

3.5 All the work done by the contractor under the contract would be liable for inspection by the co-ordinator for the work to ensure that the works are in general being executed according to the design, drawings and specifications laid down in the contract. You are requested to provide and execution drawing before commencement and obtain approval of the undersigned.

4. All materials to be used on the work will have to be got approved by the co-ordinator before use and the same should be as per the make, quality and specification as per the bill of quantities (BOQ).



5. NO omission in the drawings, bill of quantities or specifications shall absolve or relieve the contractor of his responsibility to ascertain the requirements and provide the required expertise, labour and materials to attain best standards of workmanship, ergonomics and aesthetic appearance.

6. **Representative at site:** You shall, during the progress of work employ qualified, experienced and competent supervisor at site for executing the said work. Any decision, instruction, authorisation of approval given by ADA to such contractor's supervisor shall be deemed to have been given to the contractor.

7. **Accident/injury to workmen:** The contractor shall be solely liable for accident/injury that may happen to any of the personnel engaged by him or his sub contractor in connection with the contract work. ADA shall not be liable for any damage or compensations in respect of or in consequence of any accident or injury to any personnel in the employment of the contractor or his sub contractor and the contractor shall indemnify ADA from compensation and proceedings. The contractor or his sub contractor shall forthwith report to ADA all cases of accident to any of their personal/workmen and shall make every arrangement to render all possible assistance and aid to the victim of the accident.

8. Electricity & water will be issued free subject to its availability. Contractor has to make his own arrangements to avail the same at his risk and subject to satisfying statutory rules and regulations, if any.

9. Timely execution is essential condition of the contract. Default shall invite, at the discretion of ADA, cancellation of the order in part or in full and / levy of liquidated damages at the rate of 0.5% of the total price of the contract for every week of default or part thereof, subject to a maximum of 10 %.

10. The entire work has to be completed within **Six (06) Weeks** and as specified in the order.

11. **Guarantee :** The entire work, after completion / handing over shall be **guaranteed** for a period of **One (01) year**.

12. **Terms of Payment:** 95% of the basic cost of the contract value shall be released upon completion and handing over of entire work through e-payment. Bill should be submitted after completion and handing over of entire work. Payment will be cleared within 30 days from the date of submission of bills.

13. 05% of the completed value of contract shall be retained as Retention Money for a period of **ONE (01) year** towards defect liability (interest free). The retention money shall be released against bank guarantee submitted towards guarantee for the work for one year.

14.1 The quantities and items of work shown against each items of BOQ are indicative and NOT binding. The quantities mentioned in BOQ may or may NOT vary. Since this is an Item rate contract, the vendor shall complete the work as per the drawings, specifications, and to the entire satisfaction of ADA.

14.2 All the debris, rubbish, waste materials etc., should be cleared off the site on completion of the work. As already the office is functioning in the building and hence least disturbance to the staff working there should be made and the area should be cleared and kept tidy after the day's work.



Contd 3/-

- 14.3 The contractor has to furnish his bank account details and other e-payment details on award of the work, so that payment can be made through ECS/NEFT.
15. You are requested to submit your offer in the enclosed format only. Also return all the tender documents and drawings along with your offer duly signed on all pages.
16. If you are not interested for this work, all the documents forwarded herewith should be returned to this office for records with the words "Blank Tender" prominently written on the cover itself. Please state reasons for submitting a Blank Tender under a separate letter.
17. The vendor shall quote both in figures and in words against each item of work and arrive at Total Amount of quotation. The vendor shall include in his quotation any / all miscellaneous works / items which are not specifically mentioned, but without which the work cannot be completed in all respect (viz breaking, chipping, making openings, patch up, making good the same, etc.)
18. Quotations shall be valid for at least 45 days from the due date for submission of the same.
19. ADA reserves the right to accept or reject any quotation without assigning any reason.
- 20.1 Income tax as applicable will be recovered from the payment and necessary certificate will be issued by Finance Dept.
- 20.2. GST which is legally leviable and intended to be claimed should be distinctly shown separately in the quotation. Otherwise, it will be deemed to be treated as, price quoted by the vendor is all inclusive. ADA cannot provide C/D forms, concessions / exemptions of GST. Input taxes will be included in the rate quoted and the taxes actually paid by the vendor will be reimbursed on production of proof of its remittance. The applicability of GST for Govt civil works may be ascertained before quoting the taxes applicable.
- 20.3 Contractors should provide their GSTN, HSN code, the place of their registration and copy of registration certificate along with the tender.
- 20.4 The contractor should provide details of their registration with Govt departments, experience in similar works and copies of similar works executed by to them during the past two years.
- 21.1. Canvassing in any way for award of the work or workmanship is strictly prohibited and tenders of bidders who canvass in any form will be liable for rejection.
- 21.2 The successful bidder shall not sub-contract, transfer or assign the work to any other agency by means of "Power of Attorney" or any other form without the prior consent of the Dir (Admin & HR), ADA.
22. The submission of a tender by the bidder implies that he has read all the terms and conditions and made himself aware of the scope of work, specification, local conditions and other factors bearing on the execution of the work. Therefore, you are requested to visit the site and get acquainted with the site conditions before quoting. The work shall be carried out strictly in accordance with National Code of Practices and relevant IS codes.



Contd 4/-

23. If any differences of opinion or dispute would arise between ADA and the Contractor in connection with the implementation of this work, both shall mutually discuss to arrive at an amicable solution. Failing an amicable solution, dispute arising in this connection shall be finally settled under Arbitration and conciliation Act 1996. The proceedings would be conducted in Bangalore by an Arbitration of three arbitrators one each from the respective parties and one by mutual consent to be appointed by the respective parties and one by mutual consent to be appointed by the respective and the award pronounced by the said Arbitrators would not be open to challenge and is final. Disputes if any, arising out of this contract shall be settled under the Arbitration and Conciliations Act 1996, as amended from time to time.

- X - X - X - X - X -

Annexure – III

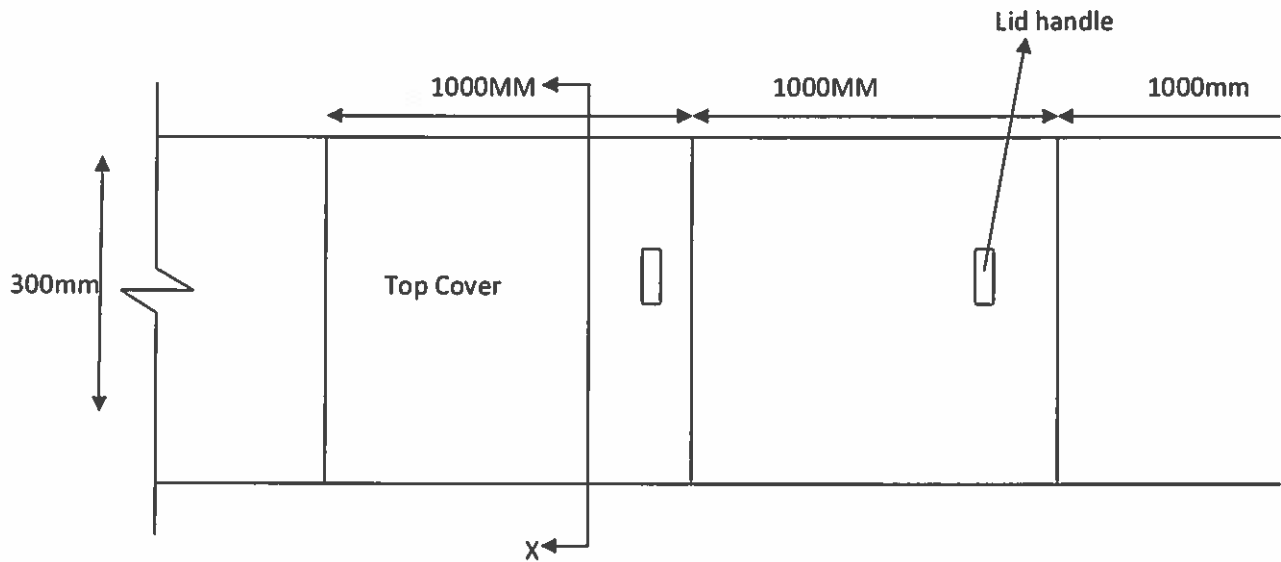
**REPLACEMENT OF WOODEN CABLE DUCT IN
SD&EF LAB, CAD/CAM BUILDING, ADA HQ COMPLEX**

LIST OF APPROVED MAKES

Sl No.	Material	Approved Make
01.	Marine grade ply wood 19 mm thick.	Century Ply / Green Ply / National Ply/ Kit ply / Sylvan ply.
02.	Anti Termite Chemical.	Bayer Premise SC / Biflex Tc / Pidilite Terminator
03.	Adhesive.	Fevicol / D3 Wooden adhesive.
04.	Paint (Latex based paint).	Dr. Fixit / Apcotex Industries Ltd / Pearl max / Amcos



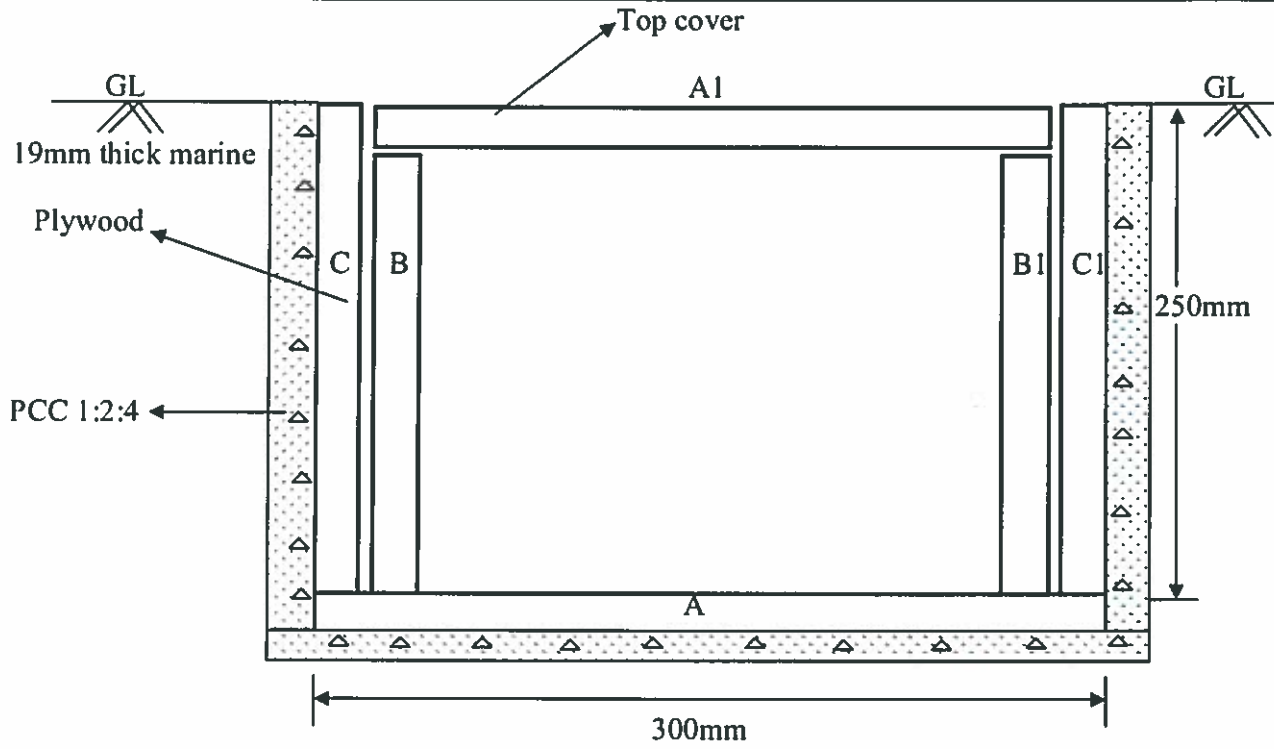
REPLACEMENT OF WOODEN CABLE DUCT IN SD&EF LAB, CAD/CAM BUILDING



PLAN (TOP VIEW)



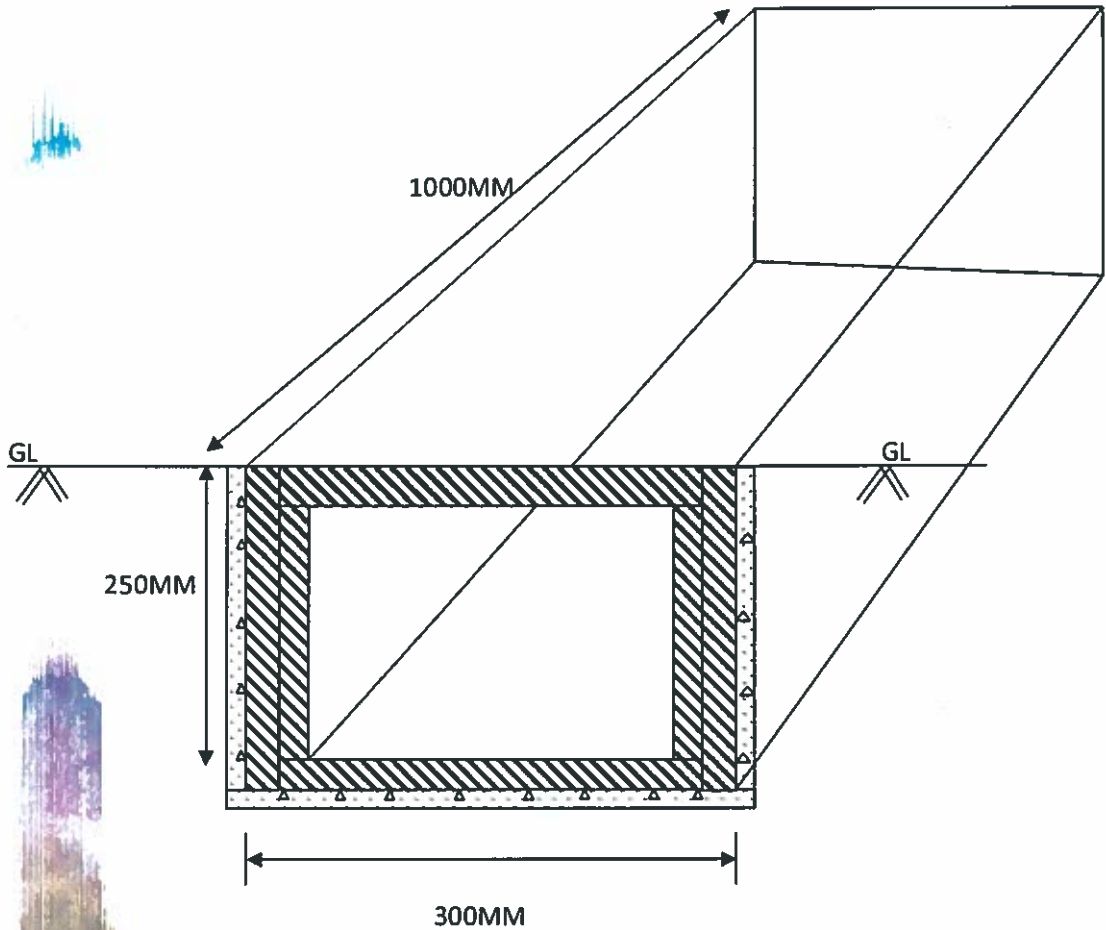
REPLACEMENT OF WOODEN CABLE DUCT IN SD&EF LAB, CAD/CAM BUILDING



SECTION X-X



REPLACEMENT OF WOODEN CABLE DUCT IN SD&EF LAB, CAD/CAM BUILDING



SIDE VIEW

